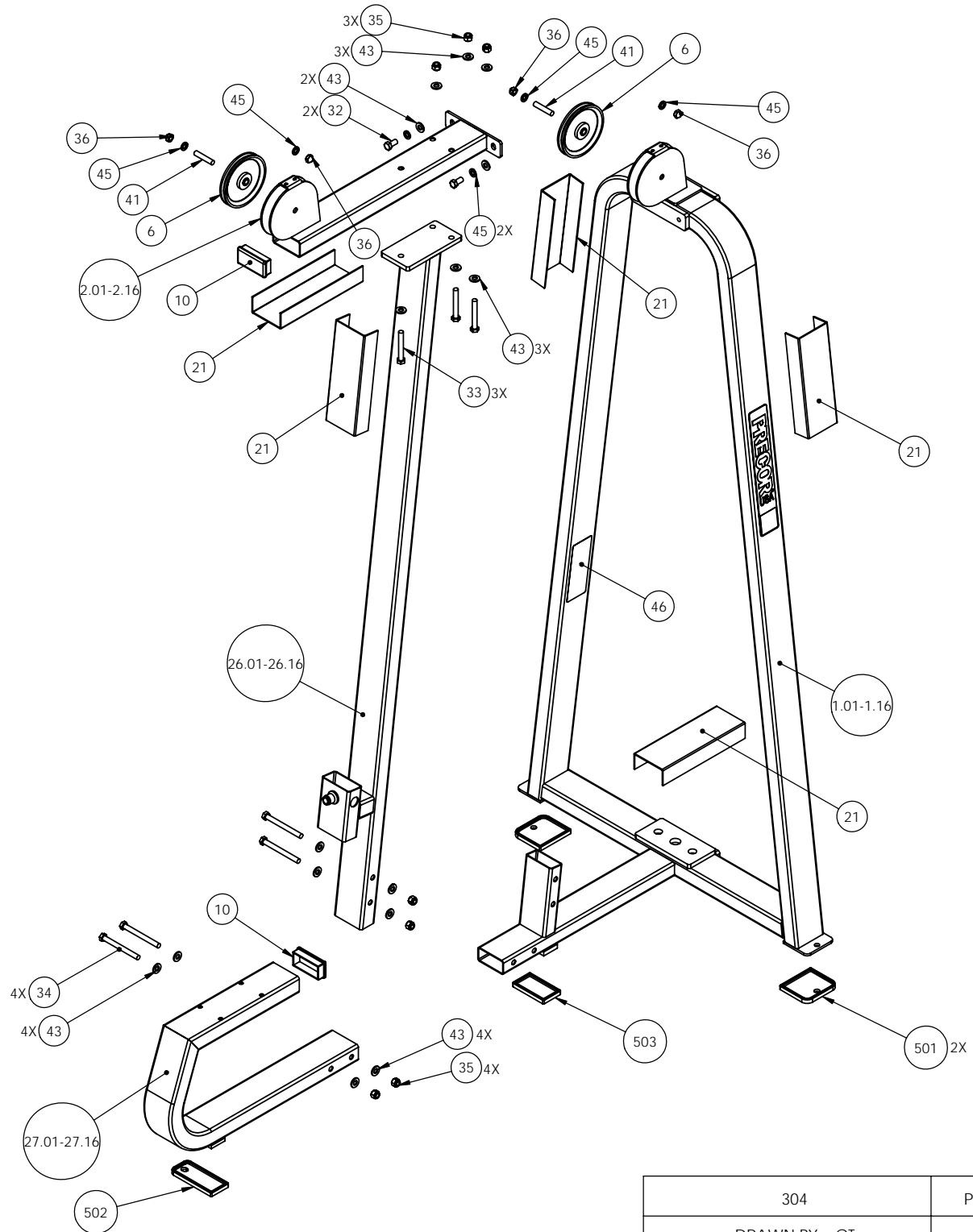
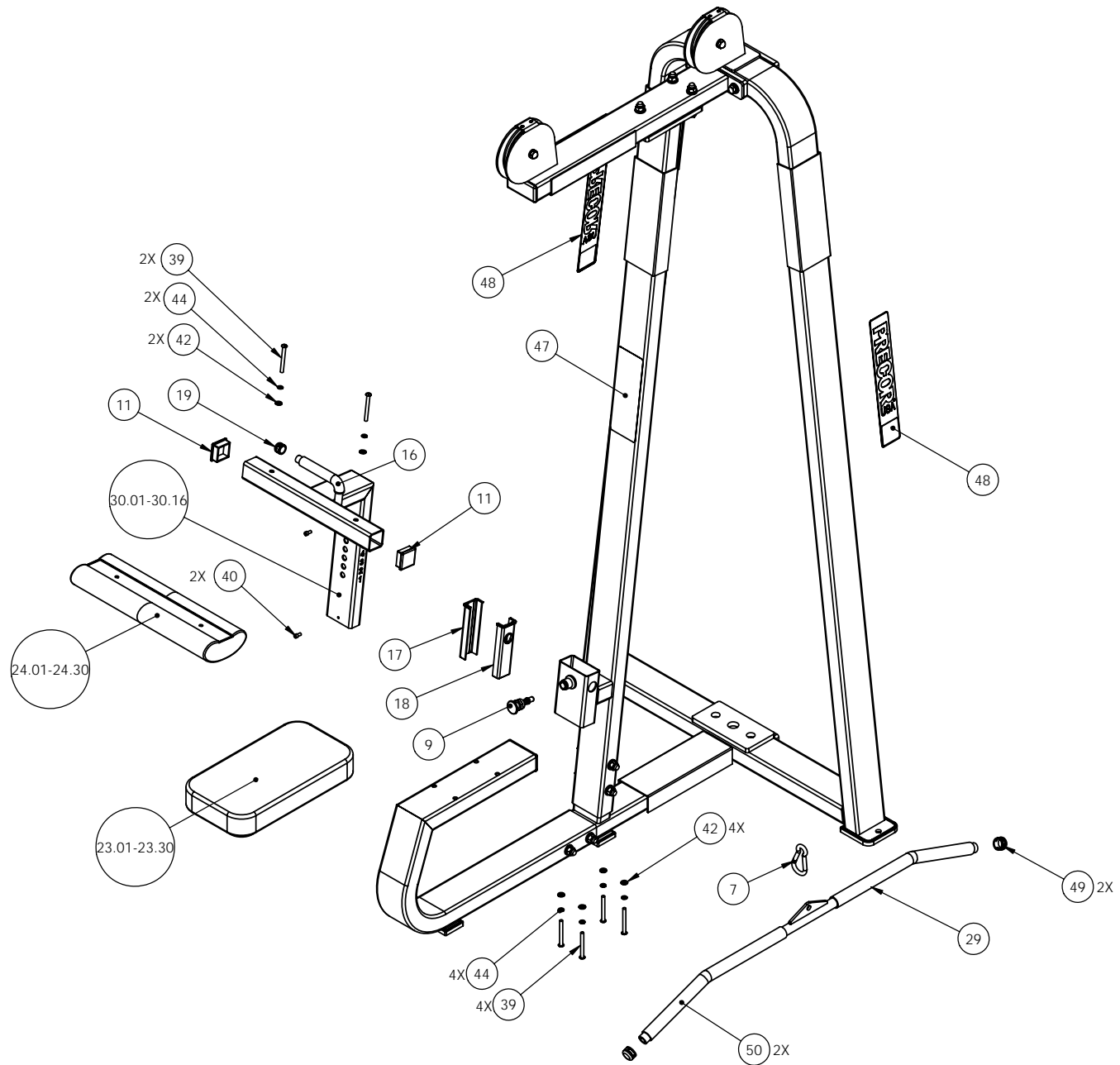


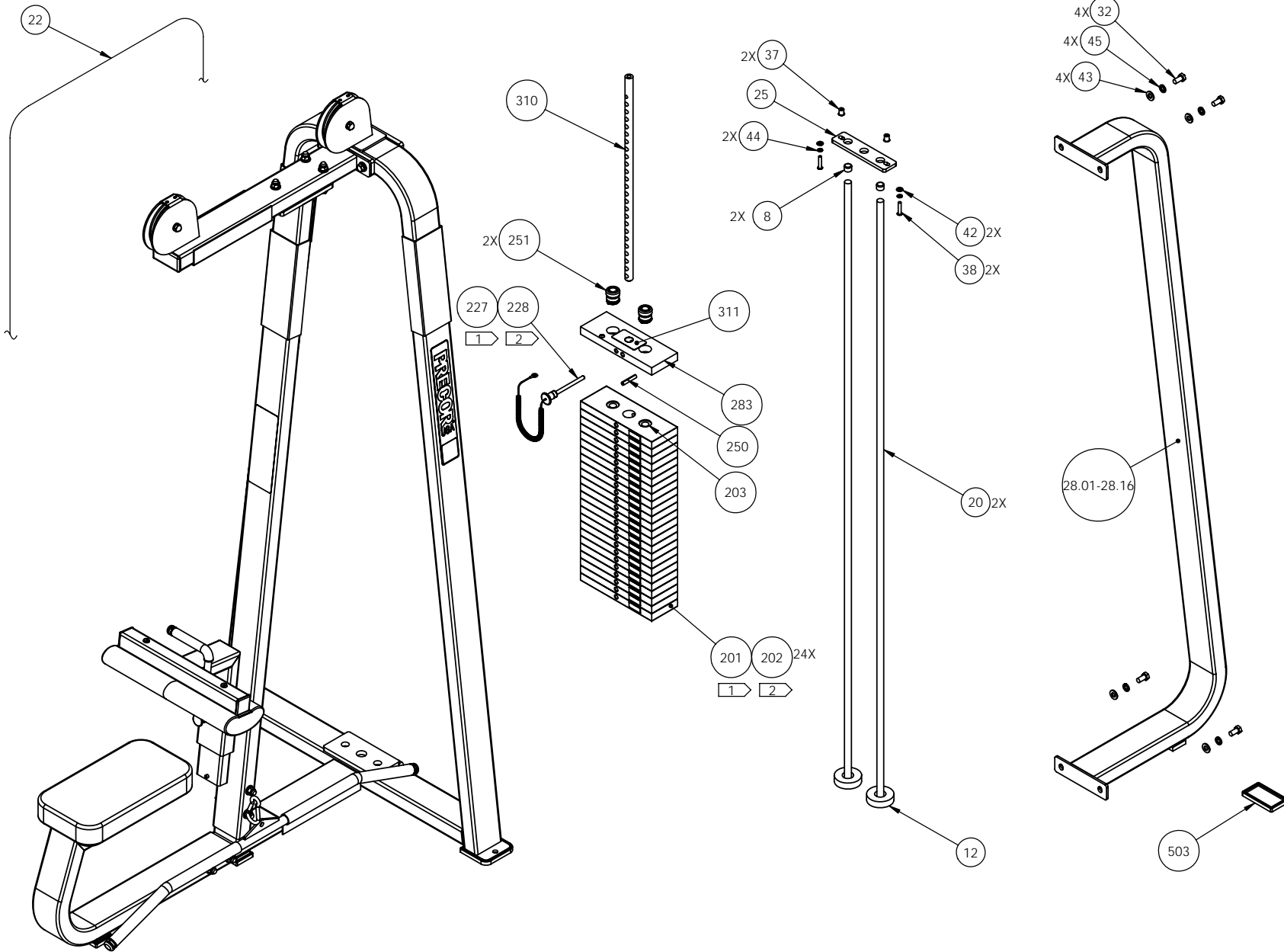
304	P/N : CW30932-101	SUBREV : B
DRAWN BY : CT	DATE : 11.18.05	SHEET 1 OF 4



304	P/N : CW30932-101	SUBREV : B
DRAWN BY : CT	DATE : 11.18.05	SHEET 2 OF 4



304	P/N : CW30932-101	SUBREV : B
DRAWN BY : CT	DATE : 11.18.05	SHEET 3 OF 4



1 FOR UNITS WITH THE 250 LB WEIGHT STACK OPTION.
 2 FOR UNITS WITH THE 300 LB WEIGHT STACK OPTION.

304	P/N : CW30932-101	SUBREV : B
DRAWN BY : CT	DATE : 11.18.05	SHEET 4 OF 4

304 Pulldown Single

Part Number	Description	Bubble Number
CW304SA1-211	ASSY,FRAME,MAIN,304,SKY WHITE	1.01
CW304SA1-221	ASSY,FRAME,MAIN,304,BLACK	1.02
CW304SA1-231	ASSY,FRAME,MAIN,304,RED	1.03
CW304SA1-241	ASSY,FRAME,MAIN,304,PLATINUM SPRKLE	1.04
CW304SA1-251	ASSY,FRAME,MAIN,304,SILVER	1.05
CW304SA1-261	ASSY,FRAME,MAIN,304,BLUE	1.06
CW304SA1-271	ASSY,FRAME,MAIN,304,CHARCOAL	1.07
CW304SA1-281	ASSY,FRAME,MAIN,304,CATHEDRAL GRAY	1.08
CW304SA1-291	ASSY,FRAME,MAIN,304,SILVER VIEN	1.09
CW304SA1-301	ASSY,FRAME,MAIN,304,CUSTOM	1.1
CW304SA1-311	ASSY,FRAME,MAIN,304,STONE HG	1.11
CW304SA1-321	ASSY,FRAME,MAIN,304,TITANIUM HG	1.12
CW304SA1-331	ASSY,FRAME,MAIN,304,WHITE GLOSS	1.13
CW304SA1-341	ASSY,FRAME,MAIN,304,BLACK ONYX	1.14
CW304SA1-351	ASSY,FRAME,MAIN,304,LIGHT BRONZE	1.15
CW304SA1-361	ASSY,FRAME,MAIN,304,SAPPHIRE BLUE	1.16
CW304SA2-211	ASSY,TOP BEAM,304,SKY WHITE	2.01
CW304SA2-221	ASSY,TOP BEAM,304,BLACK	2.02
CW304SA2-231	ASSY,TOP BEAM,304,RED	2.03
CW304SA2-241	ASSY,TOP BEAM,304,PLATINUM SPRKLE	2.04
CW304SA2-251	ASSY,TOP BEAM,304,SILVER	2.05
CW304SA2-261	ASSY,TOP BEAM,304,BLUE	2.06
CW304SA2-271	ASSY,TOP BEAM,304,CHARCOAL	2.07
CW304SA2-281	ASSY,TOP BEAM,304,CATHEDRAL GRAY	2.08
CW304SA2-291	ASSY,TOP BEAM,304,SILVER VEIN	2.09
CW304SA2-311	ASSY,TOP BEAM,304,STONE HG	2.11
CW304SA2-321	ASSY,TOP BEAM,304,TITANIUM HG	2.12
CW304SA2-331	ASSY,TOP BEAM,304,WHITE GLOSS	2.13
CW304SA2-341	ASSY,TOP BEAM,304,BLACK ONYX	2.14
CW304SA2-361	ASSY,TOP BEAM,304,SAPPHIRE BLUE	2.16
CWAC1010-101	PULLEY, 6 DIA X 1/2 ID	6
CW12589-742	CARBINE, HOOK, LARGE, 3/8" DIA, 3 1	7
CW12404-101	CAP, GUIDE ROD,DIA 3/4, BLK	8
CW30165-751	ASSY, POP PIN, 0.450 DIA HANDLE, B	9
CW11311-102	ENDCAP, REC TUBE, 2X4, BLK PLASTIC	10
CW11311-103	ENDCAP, REC TUBE, 2X2, BLK PLASTIC	11
CW12402-101	BUMPER, WEIGHT STACK, BLK RUBBER	12
CWGR2506-000	GRIP,RUBBER,3/4" DIA, 6"	16
CWAC1236-101	GUIDE INSERT, PLASTIC WITHOUT HOLE,	17
CWPF1218-711	GUIDE ROD,DIA 3/4 X (80 3/4),#8,CHM	20
CWCP8112-000	CUT PIECE, ABS CHANNEL,1/8 X 2 X 4	21
CWCLGJ102-375	ASSY, CABLE, 304SM	22
CWPD1105B-101	PAD,9X17,4HOLES,W/BP,BLACK	23.01
CWPD1105B-102	PAD,9X17,4HOLES,W/BP,RYL BL	23.02
CWPD1105B-103	PAD,9X17,4HOLES,W/BP,DVE GRY	23.03
CWPD1105B-104	PAD,9X17,4HOLES,W/BP,CROCUS	23.04
CWPD1105B-105	PAD,9X17,4HOLES,W/BP,GROTTO	23.05
CWPD1105B-106	PAD,9X17,4HOLES,W/BP,GRAPHITE	23.06
CWPD1105B-107	PAD,9X17,4HOLES,W/BP,RED	23.07

CWPD1105B-108	PAD,9X17,4HOLES,W/BP,CHN GRN	23.08
CWPD1105B-109	PAD,9X17,4HOLES,W/BP,TURQSE	23.09
CWPD1105B-110	PAD,9X17,4HOLES,W/BP,RASP	23.1
CWPD1105B-111	PAD,9X17,4HOLES,W/BP,PLUM	23.11
CWPD1105B-112	PAD,9X17,4HOLES,W/BP,REGIMENT	23.12
CWPD1105B-113	PAD,9X17,4HOLES,W/BP,SPC BLUE	23.13
CWPD1105B-115	PAD,9X17,4HOLES,W/BP,BLK LTHR	23.15
CWPD1105B-116	PAD,9X17,4HOLES,W/BP,NVBL LTH	23.16
CWPD1105B-117	PAD,9X17,4HOLES,W/BP,PUTTY	23.17
CWPD1105B-118	PAD,9X17,4HOLES,W/BP,IMPRL BLUE	23.18
CWPD1105B-119	PAD,9X17,4HOLES,W/BP,YEW GREEN	23.19
CWPD1105B-120	PAD,9X17,4HOLES,W/BP,DUSTY JADE	23.2
CWPD1105B-121	PAD,9X17,4HOLES,W/BP,TERRA COTTA	23.21
CWPD1105B-122	PAD,9X17,4HOLES,W/BP,PAPRIKA	23.22
CWPD1105B-123	PAD,9X17,4HOLES,W/BP,ASH LTHR	23.23
CWPD1105B-124	PAD,9X17,4HOLES,W/BP,CERULEAN LTHR	23.24
CWPD1105B-125	PAD,9X17,4HOLES,W/BP,CHARCOAL LTHR	23.25
CWPD1105B-126	PAD,9X17,4HOLES,W/BP,HUNTER LTHR	23.26
CWPD1105B-127	PAD,9X17,4HOLES,W/BP,MOSS LTHR	23.27
CWPD1105B-128	PAD,9X17,4HOLES,W/BP,SPICE LTHR	23.28
CWPD1105B-129	PAD,9X17,4HOLES,W/BP,TOMATO LTHR	23.29
CWPD1141J-101	PAD,4X19,2HOLES,W/BP,BLACK, W/SLIP	24.01
CWPD1141J-102	PAD,4X19,2HOLES,W/BP,RYL BL, W/SLIP	24.02
CWPD1141J-103	PAD,4X19,2HOLES,W/BP,DVE GRY, W/SLI	24.03
CWPD1141J-104	PAD,4X19,2HOLES,W/BP,CROCUS, W/SLIP	24.04
CWPD1141J-105	PAD,4X19,2HOLES,W/BP,GROTTO, W/SLIP	24.05
CWPD1141J-106	PAD,4X19,2HOLES,W/BP,GRAPHITE, W/SL	24.06
CWPD1141J-107	PAD,4X19,2HOLES,W/BP,RED, W/SLIP	24.07
CWPD1141J-108	PAD,4X19,2HOLES,W/BP,CHN GRN, W/SLI	24.08
CWPD1141J-109	PAD,4X19,2HOLES,W/BP,TURQSE,W/SLIP	24.09
CWPD1141J-110	PAD,4X19,2HOLES,W/BP,RASP,W/SLIP	24.1
CWPD1141J-111	PAD,4X19,2HOLES,W/BP,PLUM, W/SLIP	24.11
CWPD1141J-112	PAD,4X19,2HOLES,W/BP,REGIMENT,W/SLI	24.12
CWPD1141J-113	PAD,4X19,2HOLES,W/BP,SPC BLUE,W/SLI	24.13
CWPD1141J-115	PAD,4X19,2HOLES,W/BP,BLK LTHR,W/SLI	24.15
CWPD1141J-116	PAD,4X19,2HOLES,W/BP,NVBL LTH,W/SLI	24.16
CWPD1141J-117	PAD,4X19,2HOLES,W/BP,PUTTY,W/SLIP	24.17
CWPD1141J-118	PAD,4X19,2HOLES,W/BP,IMPRL BL,W/SLI	24.18
CWPD1141J-119	PAD,4X19,2HOLES,W/BP,YEW GRN,W/SLIP	24.19
CWPD1141J-120	PAD,4X19,2HOLES,W/BP,DSTY JD,W/SLIP	24.2
CWPD1141J-121	PAD,4X19,2HOLES,W/BP,TER COT,W/SLIP	24.21
CWPD1141J-122	PAD,4X19,2HOLES,W/BP,PAPRIKA,W/SLIP	24.22
CWPD1141J-123	PAD,4X19,2HOLES,W/BP,ASH LTHR,W/SLI	24.23
CWPD1141J-124	PAD,4X19,2HOLES,W/BP,CERULEAN LTHR,	24.24
CWPD1141J-125	PAD,4X19,2HOLES,W/BP,CHARCOAL LTHR,	24.25
CWPD1141J-126	PAD,4X19,2HOLES,W/BP,HUNTER LTHR,W/	24.26
CWPD1141J-127	PAD,4X19,2HOLES,W/BP,MOSS LTHR,W/SL	24.27
CWPD1141J-128	PAD,4X19,2HOLES,W/BP,SPICE LTHR,W/S	24.28
CWPD1141J-129	PAD,4X19,2HOLES,W/BP,TOMATO LTHR,W/	24.29
CWPF1016-731	BAR,,FLAT CR/HR, 3/8 X 2 X 8 1/4, 3	25
CWSA10382-311	ASSY,PULLDOWN UPRIGHT	26

CWSA10382-211	ASSY,PULLDOWN UPRIGHT, SKY WHITE	26.01
CWSA10382-221	ASSY,PULLDOWN UPRIGHT, BLACK	26.02
CWSA10382-231	ASSY,PULLDOWN UPRIGHT, RED	26.03
CWSA10382-241	ASSY,PULLDOWN UPRIGHT, PLATINUM SPR	26.04
CWSA10382-251	ASSY,PULLDOWN UPRIGHT, SILVER	26.05
CWSA10382-261	ASSY,PULLDOWN UPRIGHT, BLUE	26.06
CWSA10382-271	ASSY,PULLDOWN UPRIGHT, CHARCOAL	26.07
CWSA10382-281	ASSY,PULLDOWN UPRIGHT, CATHEDRAL GR	26.08
CWSA10382-291	ASSY,PULLDOWN UPRIGHT, SILVER VIEN	26.09
CWSA10382-321	ASSY,PULLDOWN UPRIGHT, TITANIUM HG	26.12
CWSA10382-331	ASSY,PULLDOWN UPRIGHT, WHITE GLOSS	26.13
CWSA10382-341	ASSY,PULLDOWN UPRIGHT, BLACK ONYX	26.14
CWSA10382-351	ASSY,PULLDOWN UPRIGHT, LIGHT BRONZE	26.15
CWSA10382-361	ASSY,PULLDOWN UPRIGHT, SAPPHIRE BLU	26.16
CWSA10452-311	ASSY,PULLDOWN SEAT	27
CWSA10452-211	ASSY,PULLDOWN SEAT, SKY WHITE	27.01
CWSA10452-221	ASSY,PULLDOWN SEAT, BLACK	27.02
CWSA10452-231	ASSY,PULLDOWN SEAT, RED	27.03
CWSA10452-241	ASSY,PULLDOWN SEAT, PLATINUM SPRKL	27.04
CWSA10452-251	ASSY,PULLDOWN SEAT, SILVER	27.05
CWSA10452-261	ASSY,PULLDOWN SEAT, BLUE	27.06
CWSA10452-271	ASSY,PULLDOWN SEAT, CHARCOAL	27.07
CWSA10452-281	ASSY,PULLDOWN SEAT, CATHEDRAL GREY	27.08
CWSA10452-291	ASSY,PULLDOWN SEAT, SILVER VIEN	27.09
CWSA10452-311	ASSY,PULLDOWN SEAT	27.11
CWSA10452-321	ASSY,PULLDOWN SEAT, TITANIUM HG	27.12
CWSA10452-331	ASSY,PULLDOWN SEAT, WHITE GLOSS	27.13
CWSA10452-341	ASSY,PULLDOWN SEAT, BLACK ONYX	27.14
CWSA10452-351	ASSY,PULLDOWN SEAT, LIGHT BRONZE	27.15
CWSA10452-361	ASSY,PULLDOWN SEAT, SAPPHIRE BLUE	27.16
CWSA10781-211	ASSY,FLANGED "C" FRAME,W/O BRKTS, S	28.01
CWSA10781-221	ASSY,FLANGED "C" FRAME,W/O BRKTS, B	28.02
CWSA10781-231	ASSY,FLANGED "C" FRAME,W/O BRKTS, R	28.03
CWSA10781-241	ASSY,FLANGED "C" FRAME,W/O BRKTS, P	28.04
CWSA10781-251	ASSY,FLANGED "C" FRAME,W/O BRKTS, S	28.05
CWSA10781-261	ASSY,FLANGED "C" FRAME,W/O BRKTS, B	28.06
CWSA10781-271	ASSY,FLANGED "C" FRAME,W/O BRKTS, C	28.07
CWSA10781-281	ASSY,FLANGED "C" FRAME,W/O BRKTS, C	28.08
CWSA10781-291	ASSY,FLANGED "C" FRAME,W/O BRKTS, S	28.09
CWSA10781-311	ASSY,FLANGED "C" FRAME,W/O BRKTS	28.11
CWSA10781-321	ASSY,FLANGED "C" FRAME,W/O BRKTS, T	28.12
CWSA10781-331	ASSY,FLANGED "C" FRAME,W/O BRKTS, W	28.13
CWSA10781-341	ASSY,FLANGED "C" FRAME,W/O BRKTS, B	28.14
CWSA10781-351	ASSY,FLANGED "C" FRAME,W/O BRKTS, L	28.15
CWSA10781-361	ASSY,FLANGED "C" FRAME,W/O BRKTS, S	28.16
CWSA1081-731	ASSY,LAT BAR,BLK ZNC	29
CWSA3020-211	ASSY,THIGH PAD ADJUSTER, SKY WHITE	30.01
CWSA3020-221	ASSY,THIGH PAD ADJUSTER, BLACK	30.02
CWSA3020-231	ASSY,THIGH PAD ADJUSTER, RED	30.03
CWSA3020-241	ASSY,THIGH PAD ADJUSTER, PLATINUM S	30.04
CWSA3020-251	ASSY,THIGH PAD ADJUSTER, SILVER	30.05

CWSA3020-261	ASSY,THIGH PAD ADJUSTER, BLUE	30.06
CWSA3020-271	ASSY,THIGH PAD ADJUSTER, CHARCOAL	30.07
CWSA3020-281	ASSY,THIGH PAD ADJUSTER, CATHEDRAL	30.08
CWSA3020-291	ASSY,THIGH PAD ADJUSTER, SILVER VIE	30.09
CWSA3020-311	ASSY,THIGH PAD ADJUSTER	30.11
CWSA3020-321	ASSY,THIGH PAD ADJUSTER, TITANIUM H	30.12
CWSA3020-331	ASSY,THIGH PAD ADJUSTER, WHITE GLOS	30.13
CWSA3020-341	ASSY,THIGH PAD ADJUSTER, BLACK ONYX	30.14
CWSA3020-351	ASSY,THIGH PAD ADJUSTER, LIGHT BRON	30.15
CWSA3020-361	ASSY,THIGH PAD ADJUSTER, SAPPHIRE B	30.16
CWHCYN050-100	SCREW,HEX HEAD,BLK XYLAN,1/2-13 X 1	32
CWHCYN050-350	SCREW, HEX HEAD, BLK XYLAN, 1/2-13	33
CWHCYN050-500	SCREW, HEX HEAD, BLK XYLAN, 1/2-13	34
CWKDYN050-059	LOCKNUT, NYLON INSERT, FULL, UNC, 1	35
CWKADLN050-081	NUT, ACORN, 1/2-13	36
CW12537-109	NUT,INSERT,THIN-NUT,LARGE FLANGE	37
CWTAYN031-150	SCREW, BUTTON HEAD, BLK XYLAN,5/16	38
CWTAYN031-300	SCREW, BUTTON HEAD, BLK XYLAN,5/16	39
CWBFNN050-250	STUD, 1/2-13 X 2 1/2	41
CWWBKN031-007	WASHER, FLAT, TYPE A, SAE, 5/16 ID	42
CWWBKN050-010	WASHER, FLAT, TYPE A, SAE, 1/2 ID X	43
CWCAYN025-050	SCREW, SOCKET HEAD, BLK XYLAN	44
CWWALYN031-008	WASHER, SPLIT, 5/16 ID, BL	44
CWWALYN050-013	WASHER, SPLIT, 1/2 ID, BLK XYLAN	45
CW30010-101	LABEL,WARNING STRENGTH	46
CW30030-101	LABEL,INSTRUCTION,304	47
CW31756-101	LABEL, PRECOR USA ICARIAN LINE	48
CWAC218-901	HANDLE END CAP W/SET SCREWS, DIA 1"	49
CWGR2620-000	GRIP,RUBBER, 1" DIA, 20"	50
CWAC220-901	HANDLE END CAP W/SET SCREWS, DIA 3/	57
CW10510-721	ASSY, PLATE, WEIGHT, 10 LBS, WRKL B	201
CW10520-721	ASSY, PLATE, WEIGHT, 20 LBS, WRKL B	202
CWAC1133-101	BUSHING, WEIGHT PLATE, LDPE PLASTIC	203
CW30172-751	ASSY, 4.00 IN WEIGHT STACK PIN AND	227
CW30173-751	ASSY, 6.00 IN WEIGHT STACK PIN AND	228
CWLDNN038-200	PIN, ROLL, DIA 3/8 X 2	250
CW30184-901	ASSY,BARREL,TOP PLATE,ALUMINUM	251
CW10550-721	PLATE, WEIGHT, MED TOP (MTP-S), 10	283
CW10550-722	PLATE, WEIGHT, MED TOP (MTP-S), 10	283
CW30133-711	SELECTOR STEM, 25 PLATE,0 .875 DIA,	310
CW30011-101	LABEL,WARNING WEIGHT STACK	311
CW12401-106	LABEL, WEIGHT PLATE, 20 LBS/ 8 KG	319
CW12401-110	LABEL, WEIGHT PLATE, 30 LBS/ 13.6 K	323
CW12401-114	LABEL, WEIGHT PLATE, 40 LBS/ 18.2 K	327
CW12401-118	LABEL, WEIGHT PLATE, 50 LBS/ 22.7 K	331
CW12401-120	LABEL, WEIGHT PLATE, 60 LBS/ 27.3 K	333
CW12401-122	LABEL, WEIGHT PLATE, 70 LBS/ 31.8 K	335
CW12401-124	LABEL, WEIGHT PLATE, 80 LBS/ 36.4 K	337
CW12401-126	LABEL, WEIGHT PLATE, 90 LBS/ 40.9 K	339
CW12401-128	LABEL, WEIGHT PLATE, 100 LBS/ 45.5	341
CW12401-129	LABEL, WEIGHT PLATE, 110 LBS/ 50 KG	342

CW12401-130	LABEL, WEIGHT PLATE, 120 LBS/ 54.6	343
CW12401-131	LABEL, WEIGHT PLATE, 130 LBS/ 59.1	344
CW12401-132	LABEL, WEIGHT PLATE, 140 LBS/ 63.6	345
CW12401-133	LABEL, WEIGHT PLATE, 150 LBS/ 68.2	346
CW12401-134	LABEL, WEIGHT PLATE, 160 LBS/ 72.7	347
CW12401-135	LABEL, WEIGHT PLATE, 170 LBS/ 77.3	348
CW12401-136	LABEL, WEIGHT PLATE, 180 LBS/ 81.8	349
CW12401-137	LABEL, WEIGHT PLATE, 190 LBS/ 86.4	350
CW12401-138	LABEL, WEIGHT PLATE, 200 LBS/ 90.9	351
CW12401-139	LABEL, WEIGHT PLATE, 210 LBS/ 95.5	352
CW12401-140	LABEL, WEIGHT PLATE, 220 LBS/ 100 K	353
CW12401-141	LABEL, WEIGHT PLATE, 230 LBS/ 104.6	354
CW12401-142	LABEL, WEIGHT PLATE, 240 LBS/ 109.1	355
CW12401-143	LABEL, WEIGHT PLATE, 250 LBS/ 113.6	356
CW12401-144	LABEL, WEIGHT PLATE, 260 LBS/ 118.2	357
CW12401-145	LABEL, WEIGHT PLATE, 280 LBS/ 127.3	359
CW12401-146	LABEL, WEIGHT PLATE, 300 LBS/ 136.4	360
CW12537-109	NUT,INSERT,THIN-NUT,LARGE FLANGE	400
CW30126-101	LABEL,VINYL, PRECOR, 3.25 X 18.0	401
CWKAYN031-025	LOCKNUT, NYLON INSERT, HALF, UNC,	402
CWPF2309-721	BAR, FLAT 3/16 X 1 X (30 3/4), 4 BE	403
CWPF3143-211	SHROUD,SHEET,STEEL,3/32 THICK,4 BEN	404.01
CWPF3143-221	SHROUD,SHEET,STEEL,3/32 THICK,4 BEN	404.02
CWPF3143-231	SHROUD,SHEET,STEEL,3/32 THICK,4 BEN	404.03
CWPF3143-241	SHROUD,SHEET,STEEL,3/32 THICK,4 BEN	404.04
CWPF3143-251	SHROUD,SHEET,STEEL,3/32 THICK,4 BEN	404.05
CWPF3143-261	SHROUD,SHEET,STEEL,3/32 THICK,4 BEN	404.06
CWPF3143-271	SHROUD,SHEET,STEEL,3/32 THICK,4 BEN	404.07
CWPF3143-281	SHROUD,SHEET,STEEL,3/32 THICK,4 BEN	404.08
CWPF3143-291	SHROUD,SHEET,STEEL,3/32 THICK,4 BEN	404.09
CWPF3143-311	SHROUD,SHEET,STEEL,3/32 THICK,4 BEN	404.11
CWPF3143-321	SHROUD,SHEET,STEEL,3/32 THICK,4 BEN	404.12
CWPF3143-331	SHROUD,SHEET,STEEL,3/32 THICK,4 BEN	404.13
CWPF3143-341	SHROUD,SHEET,STEEL,3/32 THICK,4 BEN	404.14
CWPF3143-351	SHROUD,SHEET,STEEL,3/32 THICK,4 BEN	404.15
CWPF3143-361	SHROUD,SHEET,STEEL,3/32 THICK,4 BEN	404.16
CWPF3143-711	SHROUD,SHEET,STEEL,3/32 THICK,4 BEN	404.17
CWPF3144-721	SHROUD BRKT,PLATE,STEEL,1/8 THICK,1	405
CWTAYN031-100	SCREW, BUTTON HEAD, BLK XYLAN, 5/1	406
CWWALYN031-008	WASHER, SPLIT, 5/16 ID, BL	407
CWWBKN031-007	WASHER, FLAT, TYPE A, SAE, 5/16 ID	408
CWAC1177-101	FLOOR PROTECTOR, RUBBER, 4.563 X 4.	501
CWAC1178-101	FLOOR PROTECTOR, RUBBER, 2.563 X 6.	502
CWAC1180-101	FLOOR PROTECTOR, RUBBER, 2.563 X 4.	503

304 Pulldown Single

Part Number	Description	Bubble Number
CW304SA1-211	ASSY,FRAME,MAIN,304,SKY WHITE	1.01
CW304SA1-221	ASSY,FRAME,MAIN,304,BLACK	1.02
CW304SA1-231	ASSY,FRAME,MAIN,304,RED	1.03
CW304SA1-241	ASSY,FRAME,MAIN,304,PLATINUM SPRKLE	1.04
CW304SA1-251	ASSY,FRAME,MAIN,304,SILVER	1.05
CW304SA1-261	ASSY,FRAME,MAIN,304,BLUE	1.06
CW304SA1-271	ASSY,FRAME,MAIN,304,CHARCOAL	1.07
CW304SA1-281	ASSY,FRAME,MAIN,304,CATHEDRAL GRAY	1.08
CW304SA1-291	ASSY,FRAME,MAIN,304,SILVER VIEN	1.09
CW304SA1-301	ASSY,FRAME,MAIN,304,CUSTOM	1.1
CW304SA1-311	ASSY,FRAME,MAIN,304,STONE HG	1.11
CW304SA1-321	ASSY,FRAME,MAIN,304,TITANIUM HG	1.12
CW304SA1-331	ASSY,FRAME,MAIN,304,WHITE GLOSS	1.13
CW304SA1-341	ASSY,FRAME,MAIN,304,BLACK ONYX	1.14
CW304SA1-351	ASSY,FRAME,MAIN,304,LIGHT BRONZE	1.15
CW304SA1-361	ASSY,FRAME,MAIN,304,SAPPHIRE BLUE	1.16
CW304SA2-211	ASSY,TOP BEAM,304,SKY WHITE	2.01
CW304SA2-221	ASSY,TOP BEAM,304,BLACK	2.02
CW304SA2-231	ASSY,TOP BEAM,304,RED	2.03
CW304SA2-241	ASSY,TOP BEAM,304,PLATINUM SPRKLE	2.04
CW304SA2-251	ASSY,TOP BEAM,304,SILVER	2.05
CW304SA2-261	ASSY,TOP BEAM,304,BLUE	2.06
CW304SA2-271	ASSY,TOP BEAM,304,CHARCOAL	2.07
CW304SA2-281	ASSY,TOP BEAM,304,CATHEDRAL GRAY	2.08
CW304SA2-291	ASSY,TOP BEAM,304,SILVER VEIN	2.09
CW304SA2-311	ASSY,TOP BEAM,304,STONE HG	2.11
CW304SA2-321	ASSY,TOP BEAM,304,TITANIUM HG	2.12
CW304SA2-331	ASSY,TOP BEAM,304,WHITE GLOSS	2.13
CW304SA2-341	ASSY,TOP BEAM,304,BLACK ONYX	2.14
CW304SA2-361	ASSY,TOP BEAM,304,SAPPHIRE BLUE	2.16
CWAC1010-101	PULLEY, 6 DIA X 1/2 ID	6
CW12589-742	CARBINE, HOOK, LARGE, 3/8" DIA, 3 1	7
CW12404-101	CAP, GUIDE ROD,DIA 3/4, BLK	8
CW30165-751	ASSY, POP PIN, 0.450 DIA HANDLE, B	9
CW11311-102	ENDCAP, REC TUBE, 2X4, BLK PLASTIC	10
CW11311-103	ENDCAP, REC TUBE, 2X2, BLK PLASTIC	11
CW12402-101	BUMPER, WEIGHT STACK, BLK RUBBER	12
CWGR2506-000	GRIP,RUBBER,3/4" DIA, 6"	16
CWAC1236-101	GUIDE INSERT, PLASTIC WITHOUT HOLE,	17
CWPF1218-711	GUIDE ROD,DIA 3/4 X (80 3/4),#8,CHM	20
CWCP8112-000	CUT PIECE, ABS CHANNEL,1/8 X 2 X 4	21
CWCLGJ102-375	ASSY, CABLE, 304SM	22
CWPD1105B-101	PAD,9X17,4HOLES,W/BP,BLACK	23.01
CWPD1105B-102	PAD,9X17,4HOLES,W/BP,RYL BL	23.02
CWPD1105B-103	PAD,9X17,4HOLES,W/BP,DVE GRY	23.03
CWPD1105B-104	PAD,9X17,4HOLES,W/BP,CROCUS	23.04
CWPD1105B-105	PAD,9X17,4HOLES,W/BP,GROTTO	23.05
CWPD1105B-106	PAD,9X17,4HOLES,W/BP,GRAPHITE	23.06
CWPD1105B-107	PAD,9X17,4HOLES,W/BP,RED	23.07

CWPD1105B-108	PAD,9X17,4HOLES,W/BP,CHN GRN	23.08
CWPD1105B-109	PAD,9X17,4HOLES,W/BP,TURQSE	23.09
CWPD1105B-110	PAD,9X17,4HOLES,W/BP,RASP	23.1
CWPD1105B-111	PAD,9X17,4HOLES,W/BP,PLUM	23.11
CWPD1105B-112	PAD,9X17,4HOLES,W/BP,REGIMENT	23.12
CWPD1105B-113	PAD,9X17,4HOLES,W/BP,SPC BLUE	23.13
CWPD1105B-115	PAD,9X17,4HOLES,W/BP,BLK LTHR	23.15
CWPD1105B-116	PAD,9X17,4HOLES,W/BP,NVBL LTH	23.16
CWPD1105B-117	PAD,9X17,4HOLES,W/BP,PUTTY	23.17
CWPD1105B-118	PAD,9X17,4HOLES,W/BP,IMPRL BLUE	23.18
CWPD1105B-119	PAD,9X17,4HOLES,W/BP,YEW GREEN	23.19
CWPD1105B-120	PAD,9X17,4HOLES,W/BP,DUSTY JADE	23.2
CWPD1105B-121	PAD,9X17,4HOLES,W/BP,TERRA COTTA	23.21
CWPD1105B-122	PAD,9X17,4HOLES,W/BP,PAPRIKA	23.22
CWPD1105B-123	PAD,9X17,4HOLES,W/BP,ASH LTHR	23.23
CWPD1105B-124	PAD,9X17,4HOLES,W/BP,CERULEAN LTHR	23.24
CWPD1105B-125	PAD,9X17,4HOLES,W/BP,CHARCOAL LTHR	23.25
CWPD1105B-126	PAD,9X17,4HOLES,W/BP,HUNTER LTHR	23.26
CWPD1105B-127	PAD,9X17,4HOLES,W/BP,MOSS LTHR	23.27
CWPD1105B-128	PAD,9X17,4HOLES,W/BP,SPICE LTHR	23.28
CWPD1105B-129	PAD,9X17,4HOLES,W/BP,TOMATO LTHR	23.29
CWPD1141J-101	PAD,4X19,2HOLES,W/BP,BLACK, W/SLIP	24.01
CWPD1141J-102	PAD,4X19,2HOLES,W/BP,RYL BL, W/SLIP	24.02
CWPD1141J-103	PAD,4X19,2HOLES,W/BP,DVE GRY, W/SLI	24.03
CWPD1141J-104	PAD,4X19,2HOLES,W/BP,CROCUS, W/SLIP	24.04
CWPD1141J-105	PAD,4X19,2HOLES,W/BP,GROTTO, W/SLIP	24.05
CWPD1141J-106	PAD,4X19,2HOLES,W/BP,GRAPHITE, W/SL	24.06
CWPD1141J-107	PAD,4X19,2HOLES,W/BP,RED, W/SLIP	24.07
CWPD1141J-108	PAD,4X19,2HOLES,W/BP,CHN GRN, W/SLI	24.08
CWPD1141J-109	PAD,4X19,2HOLES,W/BP,TURQSE,W/SLIP	24.09
CWPD1141J-110	PAD,4X19,2HOLES,W/BP,RASP,W/SLIP	24.1
CWPD1141J-111	PAD,4X19,2HOLES,W/BP,PLUM, W/SLIP	24.11
CWPD1141J-112	PAD,4X19,2HOLES,W/BP,REGIMENT,W/SLI	24.12
CWPD1141J-113	PAD,4X19,2HOLES,W/BP,SPC BLUE,W/SLI	24.13
CWPD1141J-115	PAD,4X19,2HOLES,W/BP,BLK LTHR,W/SLI	24.15
CWPD1141J-116	PAD,4X19,2HOLES,W/BP,NVBL LTH,W/SLI	24.16
CWPD1141J-117	PAD,4X19,2HOLES,W/BP,PUTTY,W/SLIP	24.17
CWPD1141J-118	PAD,4X19,2HOLES,W/BP,IMPRL BL,W/SLI	24.18
CWPD1141J-119	PAD,4X19,2HOLES,W/BP,YEW GRN,W/SLIP	24.19
CWPD1141J-120	PAD,4X19,2HOLES,W/BP,DSTY JD,W/SLIP	24.2
CWPD1141J-121	PAD,4X19,2HOLES,W/BP,TER COT,W/SLIP	24.21
CWPD1141J-122	PAD,4X19,2HOLES,W/BP,PAPRIKA,W/SLIP	24.22
CWPD1141J-123	PAD,4X19,2HOLES,W/BP,ASH LTHR,W/SLI	24.23
CWPD1141J-124	PAD,4X19,2HOLES,W/BP,CERULEAN LTHR,	24.24
CWPD1141J-125	PAD,4X19,2HOLES,W/BP,CHARCOAL LTHR,	24.25
CWPD1141J-126	PAD,4X19,2HOLES,W/BP,HUNTER LTHR,W/	24.26
CWPD1141J-127	PAD,4X19,2HOLES,W/BP,MOSS LTHR,W/SL	24.27
CWPD1141J-128	PAD,4X19,2HOLES,W/BP,SPICE LTHR,W/S	24.28
CWPD1141J-129	PAD,4X19,2HOLES,W/BP,TOMATO LTHR,W/	24.29
CWPF1016-731	BAR,,FLAT CR/HR, 3/8 X 2 X 8 1/4, 3	25
CWSA10382-311	ASSY,PULLDOWN UPRIGHT	26

CWSA10382-211	ASSY,PULLDOWN UPRIGHT, SKY WHITE	26.01
CWSA10382-221	ASSY,PULLDOWN UPRIGHT, BLACK	26.02
CWSA10382-231	ASSY,PULLDOWN UPRIGHT, RED	26.03
CWSA10382-241	ASSY,PULLDOWN UPRIGHT, PLATINUM SPR	26.04
CWSA10382-251	ASSY,PULLDOWN UPRIGHT, SILVER	26.05
CWSA10382-261	ASSY,PULLDOWN UPRIGHT, BLUE	26.06
CWSA10382-271	ASSY,PULLDOWN UPRIGHT, CHARCOAL	26.07
CWSA10382-281	ASSY,PULLDOWN UPRIGHT, CATHEDRAL GR	26.08
CWSA10382-291	ASSY,PULLDOWN UPRIGHT, SILVER VIEN	26.09
CWSA10382-321	ASSY,PULLDOWN UPRIGHT, TITANIUM HG	26.12
CWSA10382-331	ASSY,PULLDOWN UPRIGHT, WHITE GLOSS	26.13
CWSA10382-341	ASSY,PULLDOWN UPRIGHT, BLACK ONYX	26.14
CWSA10382-351	ASSY,PULLDOWN UPRIGHT, LIGHT BRONZE	26.15
CWSA10382-361	ASSY,PULLDOWN UPRIGHT, SAPPHIRE BLU	26.16
CWSA10452-311	ASSY,PULLDOWN SEAT	27
CWSA10452-211	ASSY,PULLDOWN SEAT, SKY WHITE	27.01
CWSA10452-221	ASSY,PULLDOWN SEAT, BLACK	27.02
CWSA10452-231	ASSY,PULLDOWN SEAT, RED	27.03
CWSA10452-241	ASSY,PULLDOWN SEAT, PLATINUM SPRKL	27.04
CWSA10452-251	ASSY,PULLDOWN SEAT, SILVER	27.05
CWSA10452-261	ASSY,PULLDOWN SEAT, BLUE	27.06
CWSA10452-271	ASSY,PULLDOWN SEAT, CHARCOAL	27.07
CWSA10452-281	ASSY,PULLDOWN SEAT, CATHEDRAL GREY	27.08
CWSA10452-291	ASSY,PULLDOWN SEAT, SILVER VIEN	27.09
CWSA10452-311	ASSY,PULLDOWN SEAT	27.11
CWSA10452-321	ASSY,PULLDOWN SEAT, TITANIUM HG	27.12
CWSA10452-331	ASSY,PULLDOWN SEAT, WHITE GLOSS	27.13
CWSA10452-341	ASSY,PULLDOWN SEAT, BLACK ONYX	27.14
CWSA10452-351	ASSY,PULLDOWN SEAT, LIGHT BRONZE	27.15
CWSA10452-361	ASSY,PULLDOWN SEAT, SAPPHIRE BLUE	27.16
CWSA10781-211	ASSY,FLANGED "C" FRAME,W/O BRKTS, S	28.01
CWSA10781-221	ASSY,FLANGED "C" FRAME,W/O BRKTS, B	28.02
CWSA10781-231	ASSY,FLANGED "C" FRAME,W/O BRKTS, R	28.03
CWSA10781-241	ASSY,FLANGED "C" FRAME,W/O BRKTS, P	28.04
CWSA10781-251	ASSY,FLANGED "C" FRAME,W/O BRKTS, S	28.05
CWSA10781-261	ASSY,FLANGED "C" FRAME,W/O BRKTS, B	28.06
CWSA10781-271	ASSY,FLANGED "C" FRAME,W/O BRKTS, C	28.07
CWSA10781-281	ASSY,FLANGED "C" FRAME,W/O BRKTS, C	28.08
CWSA10781-291	ASSY,FLANGED "C" FRAME,W/O BRKTS, S	28.09
CWSA10781-311	ASSY,FLANGED "C" FRAME,W/O BRKTS	28.11
CWSA10781-321	ASSY,FLANGED "C" FRAME,W/O BRKTS, T	28.12
CWSA10781-331	ASSY,FLANGED "C" FRAME,W/O BRKTS, W	28.13
CWSA10781-341	ASSY,FLANGED "C" FRAME,W/O BRKTS, B	28.14
CWSA10781-351	ASSY,FLANGED "C" FRAME,W/O BRKTS, L	28.15
CWSA10781-361	ASSY,FLANGED "C" FRAME,W/O BRKTS, S	28.16
CWSA1081-731	ASSY,LAT BAR,BLK ZNC	29
CWSA3020-211	ASSY,THIGH PAD ADJUSTER, SKY WHITE	30.01
CWSA3020-221	ASSY,THIGH PAD ADJUSTER, BLACK	30.02
CWSA3020-231	ASSY,THIGH PAD ADJUSTER, RED	30.03
CWSA3020-241	ASSY,THIGH PAD ADJUSTER, PLATINUM S	30.04
CWSA3020-251	ASSY,THIGH PAD ADJUSTER, SILVER	30.05

CWSA3020-261	ASSY,THIGH PAD ADJUSTER, BLUE	30.06
CWSA3020-271	ASSY,THIGH PAD ADJUSTER, CHARCOAL	30.07
CWSA3020-281	ASSY,THIGH PAD ADJUSTER, CATHEDRAL	30.08
CWSA3020-291	ASSY,THIGH PAD ADJUSTER, SILVER VIE	30.09
CWSA3020-311	ASSY,THIGH PAD ADJUSTER	30.11
CWSA3020-321	ASSY,THIGH PAD ADJUSTER, TITANIUM H	30.12
CWSA3020-331	ASSY,THIGH PAD ADJUSTER, WHITE GLOS	30.13
CWSA3020-341	ASSY,THIGH PAD ADJUSTER, BLACK ONYX	30.14
CWSA3020-351	ASSY,THIGH PAD ADJUSTER, LIGHT BRON	30.15
CWSA3020-361	ASSY,THIGH PAD ADJUSTER, SAPPHIRE B	30.16
CWHCYN050-100	SCREW,HEX HEAD,BLK XYLAN,1/2-13 X 1	32
CWHCYN050-350	SCREW, HEX HEAD, BLK XYLAN, 1/2-13	33
CWHCYN050-500	SCREW, HEX HEAD, BLK XYLAN, 1/2-13	34
CWKDYN050-059	LOCKNUT, NYLON INSERT, FULL, UNC, 1	35
CWKADLN050-081	NUT, ACORN, 1/2-13	36
CW12537-109	NUT,INSERT,THIN-NUT,LARGE FLANGE	37
CWTAYN031-150	SCREW, BUTTON HEAD, BLK XYLAN,5/16	38
CWTAYN031-300	SCREW, BUTTON HEAD, BLK XYLAN,5/16	39
CWBFNN050-250	STUD, 1/2-13 X 2 1/2	41
CWWBKN031-007	WASHER, FLAT, TYPE A, SAE, 5/16 ID	42
CWWBKN050-010	WASHER, FLAT, TYPE A, SAE, 1/2 ID X	43
CWCAYN025-050	SCREW, SOCKET HEAD, BLK XYLAN	44
CWWALYN031-008	WASHER, SPLIT, 5/16 ID, BL	44
CWWALYN050-013	WASHER, SPLIT, 1/2 ID, BLK XYLAN	45
CW30010-101	LABEL,WARNING STRENGTH	46
CW30030-101	LABEL,INSTRUCTION,304	47
CW31756-101	LABEL, PRECOR USA ICARIAN LINE	48
CWAC218-901	HANDLE END CAP W/SET SCREWS, DIA 1"	49
CWGR2620-000	GRIP,RUBBER, 1" DIA, 20"	50
CWAC220-901	HANDLE END CAP W/SET SCREWS, DIA 3/	57
CW10510-721	ASSY, PLATE, WEIGHT, 10 LBS, WRKL B	201
CW10520-721	ASSY, PLATE, WEIGHT, 20 LBS, WRKL B	202
CWAC1133-101	BUSHING, WEIGHT PLATE, LDPE PLASTIC	203
CW30172-751	ASSY, 4.00 IN WEIGHT STACK PIN AND	227
CW30173-751	ASSY, 6.00 IN WEIGHT STACK PIN AND	228
CWLDNN038-200	PIN, ROLL, DIA 3/8 X 2	250
CW30184-901	ASSY,BARREL,TOP PLATE,ALUMINUM	251
CW10550-721	PLATE, WEIGHT, MED TOP (MTP-S), 10	283
CW10550-722	PLATE, WEIGHT, MED TOP (MTP-S), 10	283
CW30133-711	SELECTOR STEM, 25 PLATE,0 .875 DIA,	310
CW30011-101	LABEL,WARNING WEIGHT STACK	311
CW12401-106	LABEL, WEIGHT PLATE, 20 LBS/ 8 KG	319
CW12401-110	LABEL, WEIGHT PLATE, 30 LBS/ 13.6 K	323
CW12401-114	LABEL, WEIGHT PLATE, 40 LBS/ 18.2 K	327
CW12401-118	LABEL, WEIGHT PLATE, 50 LBS/ 22.7 K	331
CW12401-120	LABEL, WEIGHT PLATE, 60 LBS/ 27.3 K	333
CW12401-122	LABEL, WEIGHT PLATE, 70 LBS/ 31.8 K	335
CW12401-124	LABEL, WEIGHT PLATE, 80 LBS/ 36.4 K	337
CW12401-126	LABEL, WEIGHT PLATE, 90 LBS/ 40.9 K	339
CW12401-128	LABEL, WEIGHT PLATE, 100 LBS/ 45.5	341
CW12401-129	LABEL, WEIGHT PLATE, 110 LBS/ 50 KG	342

CW12401-130	LABEL, WEIGHT PLATE, 120 LBS/ 54.6	343
CW12401-131	LABEL, WEIGHT PLATE, 130 LBS/ 59.1	344
CW12401-132	LABEL, WEIGHT PLATE, 140 LBS/ 63.6	345
CW12401-133	LABEL, WEIGHT PLATE, 150 LBS/ 68.2	346
CW12401-134	LABEL, WEIGHT PLATE, 160 LBS/ 72.7	347
CW12401-135	LABEL, WEIGHT PLATE, 170 LBS/ 77.3	348
CW12401-136	LABEL, WEIGHT PLATE, 180 LBS/ 81.8	349
CW12401-137	LABEL, WEIGHT PLATE, 190 LBS/ 86.4	350
CW12401-138	LABEL, WEIGHT PLATE, 200 LBS/ 90.9	351
CW12401-139	LABEL, WEIGHT PLATE, 210 LBS/ 95.5	352
CW12401-140	LABEL, WEIGHT PLATE, 220 LBS/ 100 K	353
CW12401-141	LABEL, WEIGHT PLATE, 230 LBS/ 104.6	354
CW12401-142	LABEL, WEIGHT PLATE, 240 LBS/ 109.1	355
CW12401-143	LABEL, WEIGHT PLATE, 250 LBS/ 113.6	356
CW12401-144	LABEL, WEIGHT PLATE, 260 LBS/ 118.2	357
CW12401-145	LABEL, WEIGHT PLATE, 280 LBS/ 127.3	359
CW12401-146	LABEL, WEIGHT PLATE, 300 LBS/ 136.4	360
CW12537-109	NUT,INSERT,THIN-NUT,LARGE FLANGE	400
CW30126-101	LABEL,VINYL, PRECOR, 3.25 X 18.0	401
CWKAYN031-025	LOCKNUT, NYLON INSERT, HALF, UNC,	402
CWPF2309-721	BAR, FLAT 3/16 X 1 X (30 3/4), 4 BE	403
CWPF3143-211	SHROUD,SHEET,STEEL,3/32 THICK,4 BEN	404.01
CWPF3143-221	SHROUD,SHEET,STEEL,3/32 THICK,4 BEN	404.02
CWPF3143-231	SHROUD,SHEET,STEEL,3/32 THICK,4 BEN	404.03
CWPF3143-241	SHROUD,SHEET,STEEL,3/32 THICK,4 BEN	404.04
CWPF3143-251	SHROUD,SHEET,STEEL,3/32 THICK,4 BEN	404.05
CWPF3143-261	SHROUD,SHEET,STEEL,3/32 THICK,4 BEN	404.06
CWPF3143-271	SHROUD,SHEET,STEEL,3/32 THICK,4 BEN	404.07
CWPF3143-281	SHROUD,SHEET,STEEL,3/32 THICK,4 BEN	404.08
CWPF3143-291	SHROUD,SHEET,STEEL,3/32 THICK,4 BEN	404.09
CWPF3143-311	SHROUD,SHEET,STEEL,3/32 THICK,4 BEN	404.11
CWPF3143-321	SHROUD,SHEET,STEEL,3/32 THICK,4 BEN	404.12
CWPF3143-331	SHROUD,SHEET,STEEL,3/32 THICK,4 BEN	404.13
CWPF3143-341	SHROUD,SHEET,STEEL,3/32 THICK,4 BEN	404.14
CWPF3143-351	SHROUD,SHEET,STEEL,3/32 THICK,4 BEN	404.15
CWPF3143-361	SHROUD,SHEET,STEEL,3/32 THICK,4 BEN	404.16
CWPF3143-711	SHROUD,SHEET,STEEL,3/32 THICK,4 BEN	404.17
CWPF3144-721	SHROUD BRKT,PLATE,STEEL,1/8 THICK,1	405
CWTAYN031-100	SCREW, BUTTON HEAD, BLK XYLAN, 5/1	406
CWWALYN031-008	WASHER, SPLIT, 5/16 ID, BL	407
CWWBKN031-007	WASHER, FLAT, TYPE A, SAE, 5/16 ID	408
CWAC1177-101	FLOOR PROTECTOR, RUBBER, 4.563 X 4.	501
CWAC1178-101	FLOOR PROTECTOR, RUBBER, 2.563 X 6.	502
CWAC1180-101	FLOOR PROTECTOR, RUBBER, 2.563 X 4.	503